

GS 310

**winterhalter**

## Cutlery Rinse Dryer



**Sparkling results without polishing**



## Unique in every detail

Like the new, award-winning Winterhalter glasswashers and dishwashers, the GS 310 cutlery rinse dryer features many intelligent solutions aimed at optimizing operation, hygiene, and economic efficiency. The colour coded controller clearly displays the operational status of the machine at all times.

- + Single-button control with color coding
- + High-power washing and rinsing due to the compact wash system
- + Unique WIHTec (Winterhalter Indirect Heating Technology) hygiene concept
- + Integrated rinse aid container with automatic rinse aid dispenser

## Saves time and money by eliminating the need for polishing

### No more time spent polishing!

The GS 310 cutlery rinse dryer from Winterhalter will give you gleaming cutlery time after time. A single push of a button is all you need to rinse the washed cutlery and get it perfectly hygienic and spotlessly clean, and after a brief drying period, it will positively sparkle - and without any polishing what so ever.

Winterhalter will eliminate any need for time consuming polishing, which will not only save time and therefore money, but also produces the perfect result.



## Get dazzling results

To give your cutlery a spotless sparkle without any polishing, you need the right water treatment, one that is tailored to your requirements. Our professional sales and service team, as well as our affiliated dealers, have just the right solution for you: the VE 15 or VE 20 for full desalination, or osmosis water with the RoMatik reverse osmosis system from Winterhalter.

## no more polishing



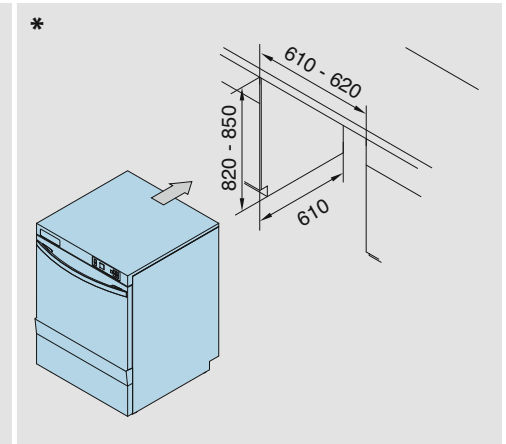
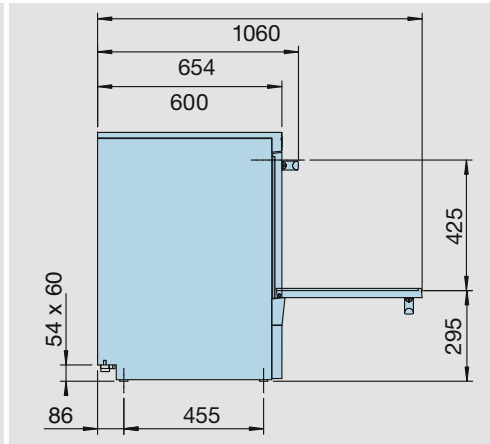
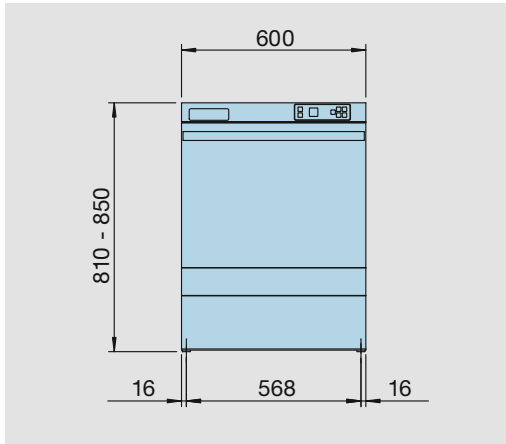
**Optimal water treatment**



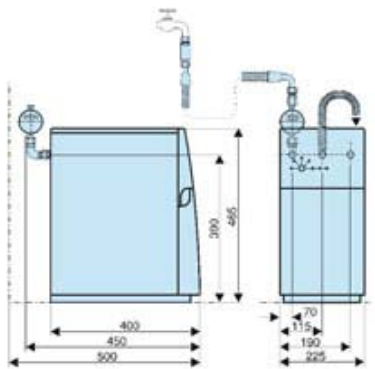
**Automatic rinse aid dispenser**



**Simple effective controls**



\* Note: When installing the machine in a counter, the necessary dimensions of the niche must be taken into consideration.



### RoMatik 150 reverse osmosis system

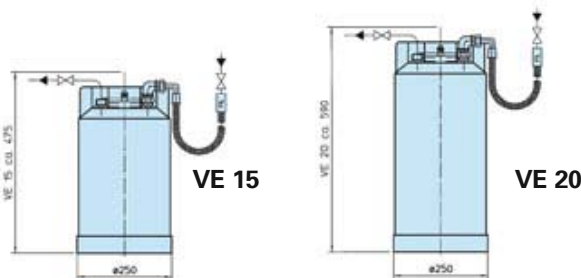
- Maximum cold water feed temperature +30° C
- Maximum permeation capacity 150 l/h
- Maximum hardness of untreated water GH = 30° dH
- Electrical connection 1-ph
- Protection class IPX 1 (protected against dripping water)

It is recommended that when purchasing a RoMatik reverse osmosis unit, that a maintenance agreement is entered into. For further details please contact Winterhalter Customer Services.

For further reverse osmosis units please have a look at the Winterhalter brochure "water treatment".

		<b>GS 310 (3-ph AC)</b>
<b>Theoretical capacity</b>	[racks/h]	48/24
<b>Width</b>	[mm]	600
<b>Depth with the door closed</b>	[mm]	600
<b>Depth with the door open</b>	[mm]	1060
<b>Height</b>	[mm]	810 - 850
<b>Entry height</b>	[mm]	425
<b>Rack dimensions</b>	[mm]	500 x 500
<b>Tank capacity</b>	[l]	18
<b>Rinse water consumption* per cycle</b>	[l]	2,4
<b>Tank temperature</b>	[°C]	60
<b>Boiler temperature</b>	[°C]	85
<b>Total connected load</b>	[kW]	6,3
<b>Weight</b>	[kg]	76

\* Under ideal conditions. The fresh water consumption depends on the on-site conditions. The precise adjustment takes place during commissioning.



### Super-Glasklar VE 15/Super-Glasklar VE 20

Applies to both: water intake temperature up to 60° C, Cartridge made of stainless steel

### Winterhalter full desalination units

For areas with especially troublesome water conditions.

Winterhalter Gastronom GmbH · Commercial Dishwashing Systems

Tettnanger Strasse 72 · 88074 Meckenbeuren · Germany · Telephone +49 (0) 75 42 402-0 · Telefax +49 (0) 75 42 402-187

www.winterhalter.biz · info@winterhalter.biz